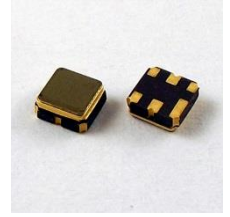


- Low-loss RF SAW filter
- No matching network required for operation at 50Ω
- Ceramic package for Surface Mounted Technology (SMT)
- Lead-free production and RoHS compliant

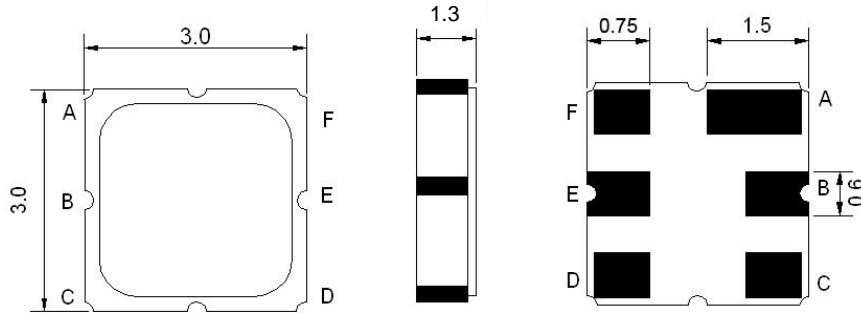


Electrical Characteristics

MAXIMUM RATING				
PARAMETERS DESCRIPTION	UNIT	MINIMUM	TYPICAL	MAXIMUM
Operating Temperature Range	°C	-40	-	+85
Storage Temperature Range	°C	-40	-	+85
Maximum DC Voltage	V _{DC}	-	-	0
Maximum Input Power Level	dBm	-	-	5
Source Impedance	Ω	-	50	-
Load Impedance	Ω	-	50	-
Length x Width	mm ²	-	3.0 x 3.0	-
Height	mm	-	-	1.3

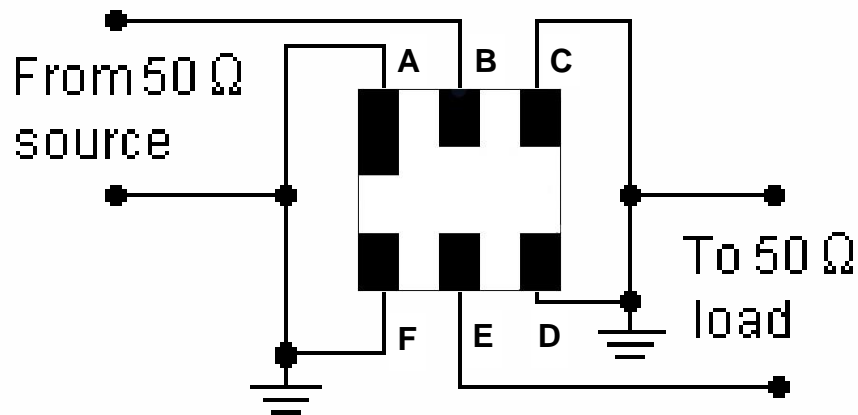
ELECTRICAL SPECIFICATION				
PARAMETERS DESCRIPTION	UNIT	MINIMUM	TYPICAL	MAXIMUM
Center Frequency (Fo)	MHz	-	2140	-
Insertion Loss @ 2110.00 ~ 2170.00MHz	dB		2.8	3.5
Amplitude Ripple (p-p) @ 2110.00 ~ 2170.00MHz	dB		1.0	1.5
Absolute Attenuation:				
50.00~ 1400.00 MHz	dB	20	25	
1400.00 ~ 1910.00 MHz	dB	23	28	
1910.00 ~ 1980.00 MHz	dB	25	28	
2300.00 ~ 3700.00 MHz	dB	20	25	

Package Dimensions



Pin Description	
B	Input
E	Output
A, C, D, F	Case Ground

Testing Environment



Frequency Characteristics

